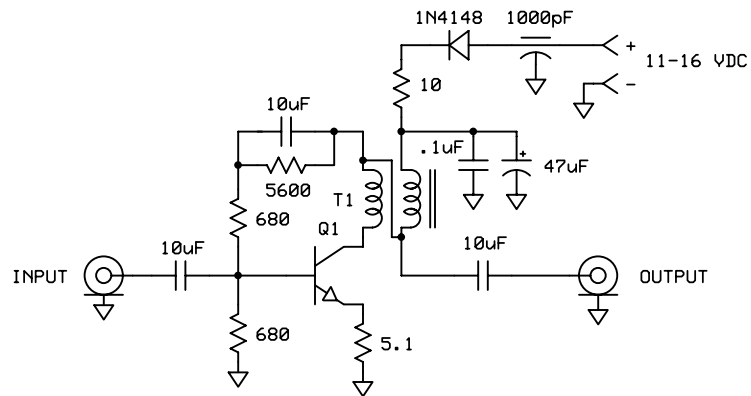


VLF LF MF PREAMPLIFIER  
 10kHz-20MHz 2.5dB NF 20dB GAIN  
 50 OHM INPUT/OUTPUT IMPEDANCE



Q1 - LT1001A, 2N3866 or 2N5109 - heat sink required  
 T1 - 56T #34 bifilar PC-1107-77 pot core  
 10 uF capacitors are non polar