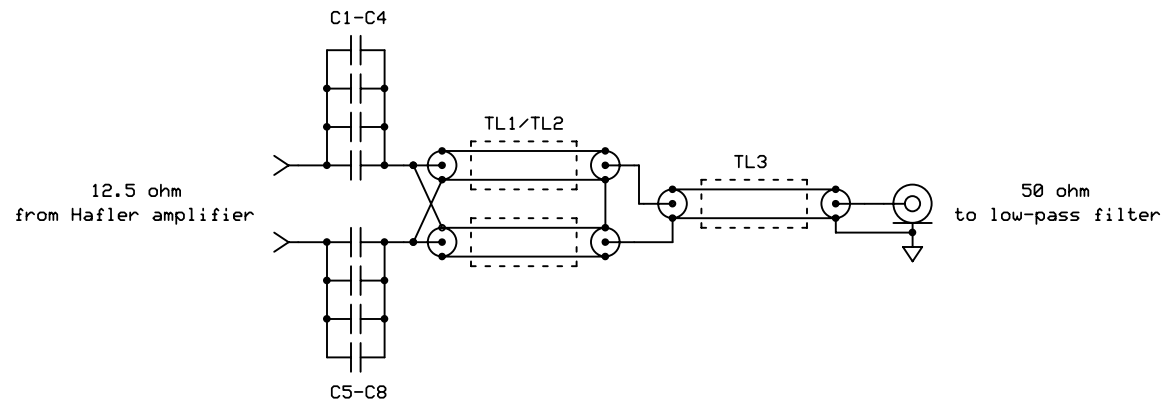


200 ohm output
to Hafler input

T1 - 23 turns trifilar FT50-75



C1-C8 - 3.9uF/250V mylar, Panasonic ECQ-E2395JF
 TL1 TL2 TL3 - 7 passes RG-400 on 2)2675102002*
 * see text

W1VD - Ar2 Communications		
Hafler Input/Output Transformers		
J. Rusgrove	Rev 1.0	Page 1 of 1
	8/17/2013	